

4.5mm/6.5mm Headless Compression Screw Set

PRODUCT OFFERING



The New Fixation Standard in Orthopedics

Diamond Orthopedic LLC

1600 Camden Road
Charlotte, NC 28203
Telephone: (704) 585-8270
www.DiamondOrthopedic.com

REVOLUTIONARY.

Diamond Orthopedic brings you the next generation of orthopedic screws with patented *faceted threadform technology*. This revolutionary product is packaged in modular trays with state of the art instrumentation.

Diamond Orthopedic is the new fixation standard in orthopedics.



CONTENTS

INTRODUCTION

- 5 4.5 Headless Compression Bone Screw
- 6 6.5 Headless Compression Bone Screw
- 7 Indications

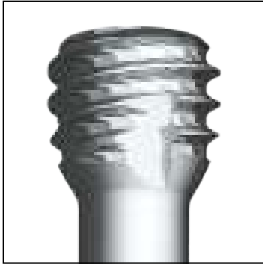
PRODUCT INFORMATION

- 8 Instruments and Storage
- 10 Screw Caddys
- 11 Ordering Information

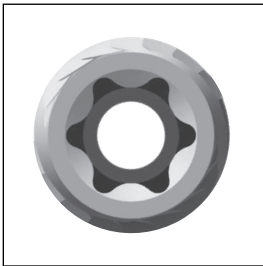
For further information regarding the Diamond Orthopedic product line, visit: www.diamondorthpedic.com

4.5mm Headless Compression Bone Screw

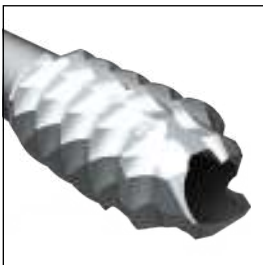
Engineered with Faceted Threadform Technology



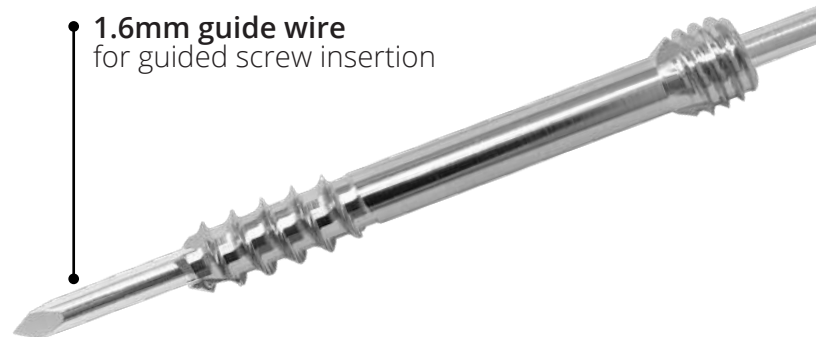
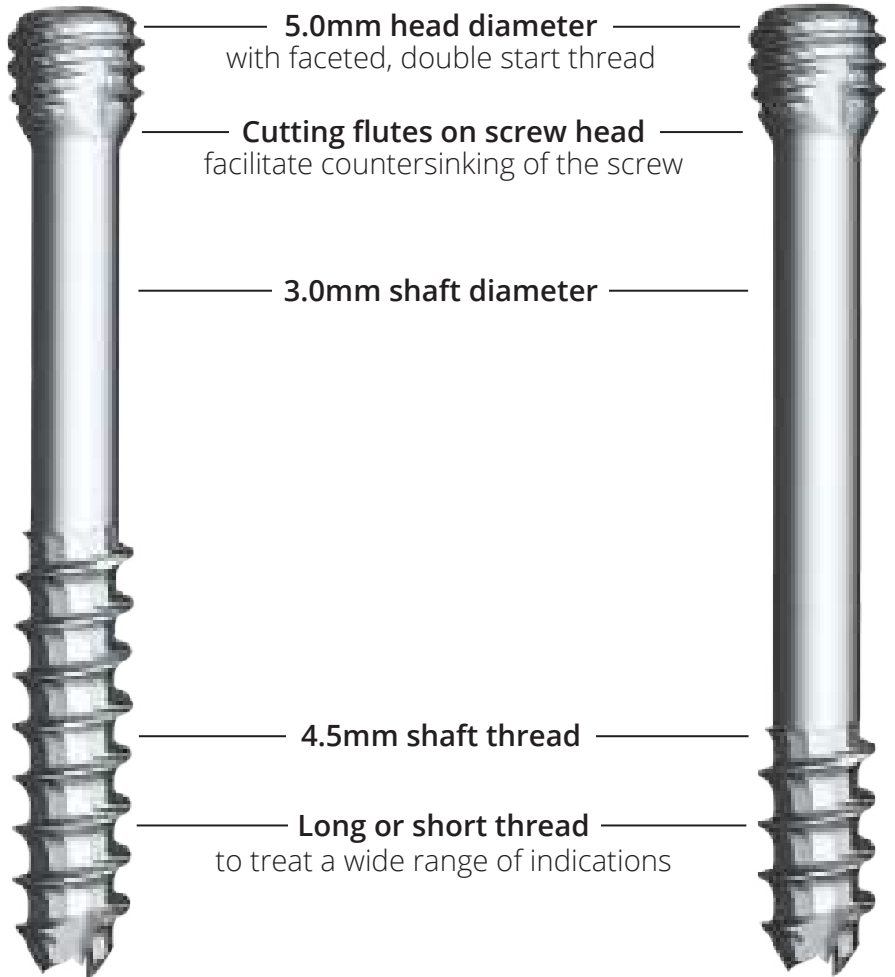
Faceted threads on countersinking screw head for better purchase and improved fixation



T15 recessed hexalobe head for peak torque control and superb engagement



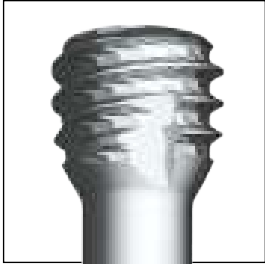
Self-drilling and self-tapping flutes for simplified but precise surgical technique



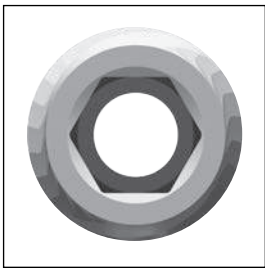
- Identical pitch of head and shaft threads maintains compression when countersinking the head.
- Available in 316L stainless steel

6.5mm Headless Compression Bone Screw

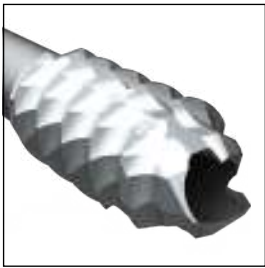
Engineered with Faceted Threadform Technology



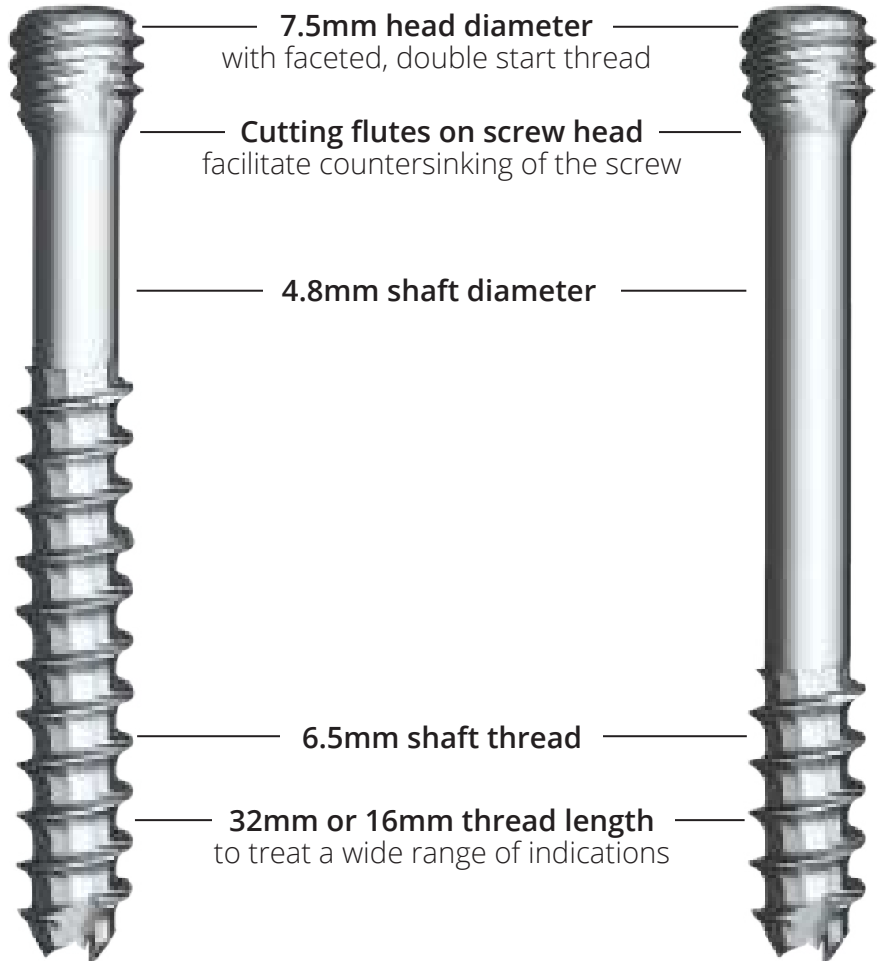
Faceted threads on countersinking screw head for better purchase and improved fixation



4.0mm recessed hex head for torque transmission



Self-drilling and self-tapping flutes for simplified but precise surgical technique



- Identical pitch of head and shaft threads maintains compression when countersinking the head.
- Available in 316L stainless steel

Indications

Adults [For smaller adults, youth and children, use corresponding smaller screws.]

For fixation of various bones, bone fragments, and bone deformities; including joint fusions, osteotomies, and reconstruction.

4.5mm Headless Compression Screws

Examples:

- Calcaneus
- Distal and proximal tibia
- Distal femur
- Metatarsus
- Proximal humerus
- Talus

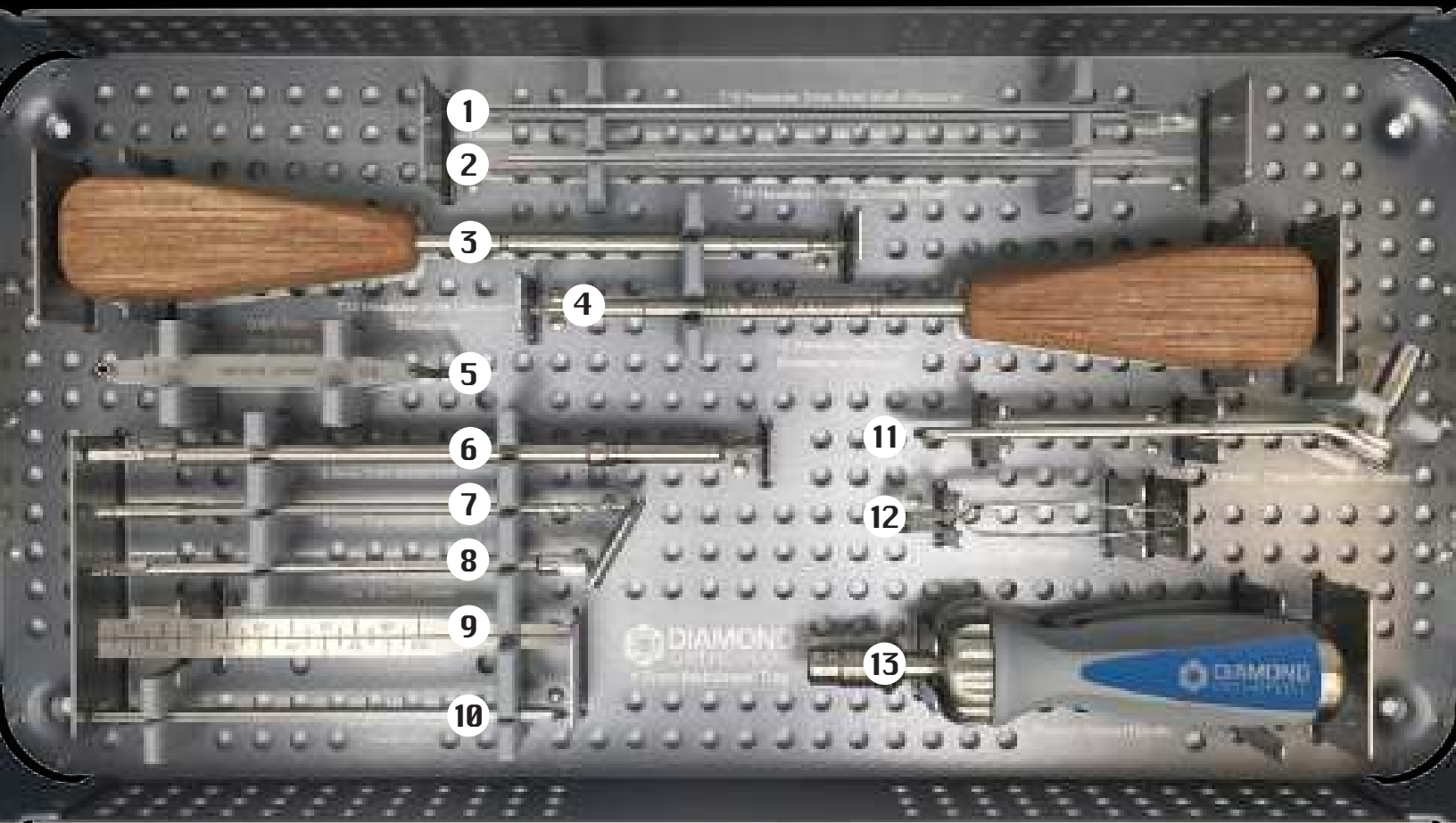
6.5mm Headless Compression Screws

Examples:

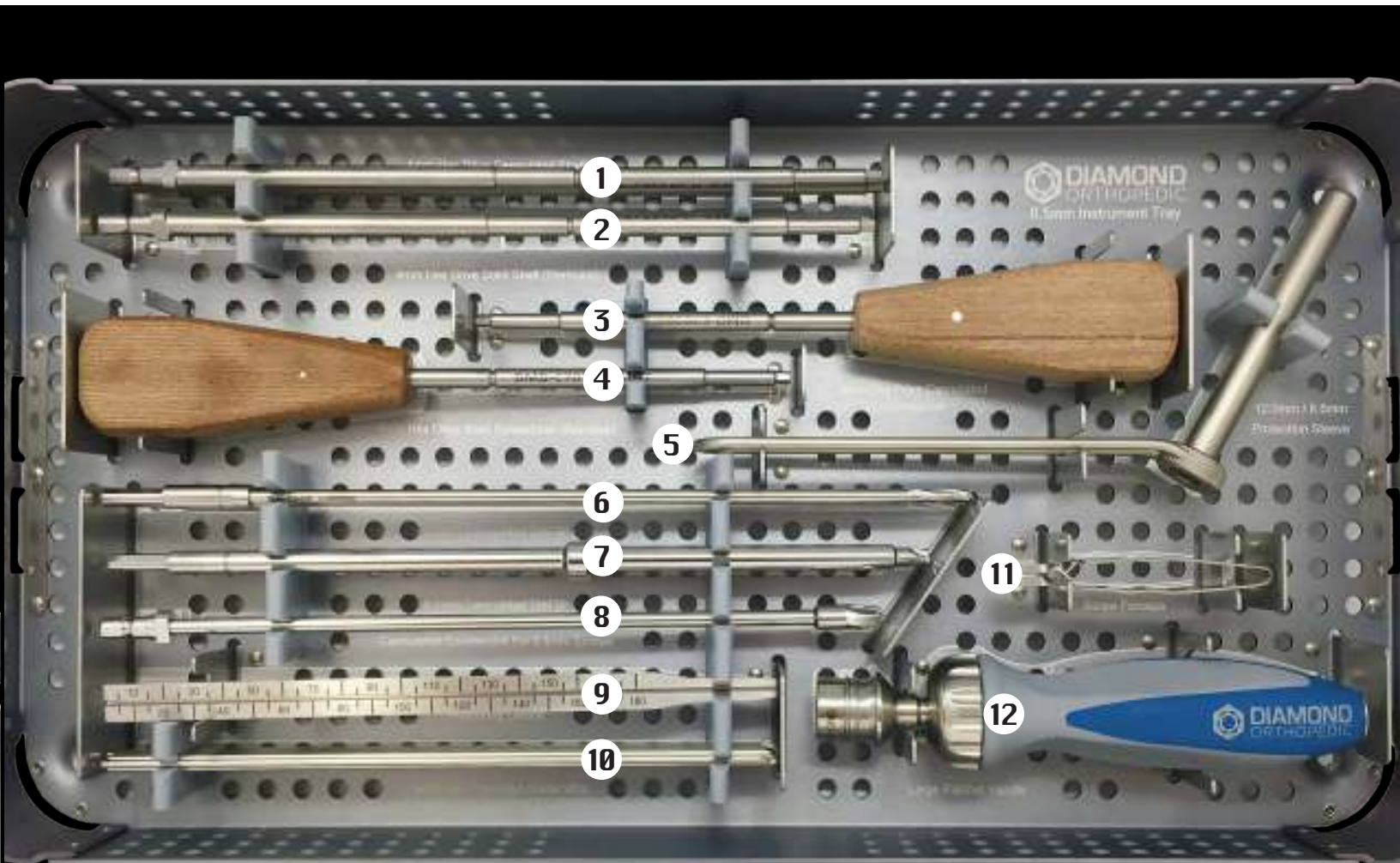
- Calcaneus
- Distal and proximal tibia
- Distal femur
- Talus

Instrument Set - 4.5mm Screws

- 1 T15 Drive Solid Shaft (Removal)**
152mm, Quick Coupling
- 2 T15 Drive Cannulated Shaft**
152mm, Quick Coupling
- 3 T15 Drive Cannulated Screwdriver**
- 4 T15 Drive Solid Screwdriver (Removal)**
- 5 Drill Sleeve**
Ø 1.7mm / 0.8mm
- 6 Cannulated Drill Bit, Quick Coupling**
Ø 4.0mm, 215mm
- 7 Cannulated Drill Bit, Quick Coupling**
Ø 3.2mm, 170mm
- 8 Cannulated Countersink**
Ø 4.5mm, AO Quick Coupling
- 9 Depth Gauge**
150mm
- 10 Non-Threaded Guide Wire, Trocar Tip**
Ø 1.6mm, 150mm
- 11 Protection Sleeve**
Ø 9.5mm / 7.0mm, 30mm
- 12 Screw Holding Forceps**
for 3.5mm - 6.5mm
- 13 Medium Ratchet Handle**
External AO Quick Coupling



Instrument Set - 6.5mm Screws



- | | |
|---|---|
| <p>1 4.0mm Hex Drive Cannulated Shaft
Hall Quick Coupling</p> | <p>7 Cannulated Drill Bit, Quick Coupling
Ø 6.0mm, 285mm</p> |
| <p>2 4.0mm Hex Drive Solid Shaft
Hall Quick Coupling (Removal)</p> | <p>8 Cannulated Countersink
Ø 6.5mm, Hall Quick Coupling</p> |
| <p>3 4.0mm Hex Drive Cannulated Screwdriver</p> | <p>9 Depth Gauge
230mm</p> |
| <p>4 4.0mm Hex Drive Solid Screwdriver
(Removal)</p> | <p>10 Non-Threaded Guide Wire, Trocar Tip
Ø 2.8mm, 230mm</p> |
| <p>5 Protection Sleeve
Ø 12.0mm / 8.5mm, 100mm</p> | <p>11 Screw Holding Forceps
for 3.5mm - 6.5mm</p> |
| <p>6 Cannulated Drill Bit, Quick Coupling
Ø 5.0mm, 300mm</p> | <p>12 Large Ratchet Handle
External Hall Adapter</p> |

Screw Caddys

4.5MM HEADLESS COMPRESSION



Short Thread

Sizes:

20mm-58mm (2mm increments)

60mm-100mm (5mm increments)

Qty: 2 per size

Long Thread

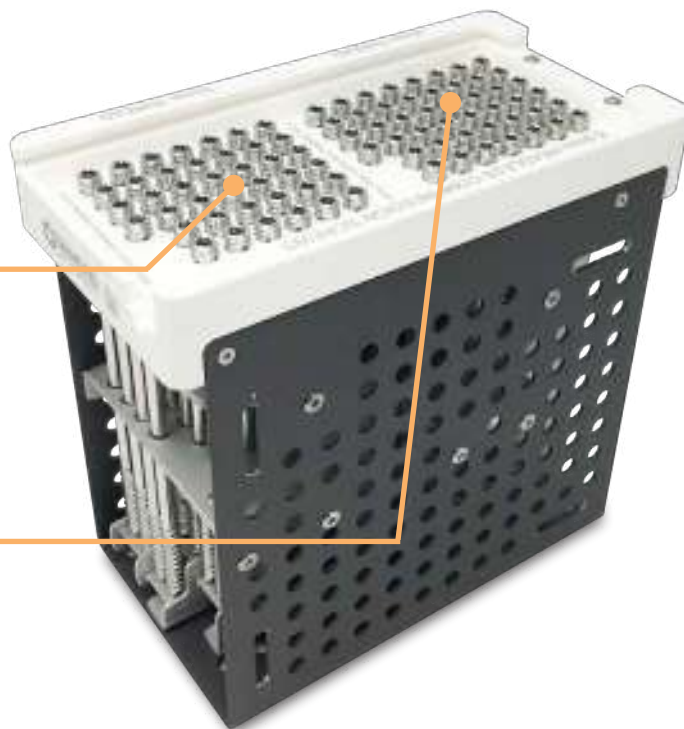
Sizes:

30mm-58mm (2mm increments)

60mm-100mm (5mm increments)

Qty: 2 per size

6.5MM HEADLESS COMPRESSION



16mm Thread

Sizes: 40mm-150mm (5mm increments)

Qty: 2 per size

32mm Thread

Sizes: 55mm-150mm (5mm increments)

Qty: 2 per size

Ordering Information

4.5mm Headless Compression Screws, Short Thread

Short Thread



Length	Product Number	Qty/Caddy
20 mm	DMD-02-226-620	2
22 mm	DMD-02-226-622	2
24 mm	DMD-02-226-624	2
26 mm	DMD-02-226-626	2
28 mm	DMD-02-226-628	2
30 mm	DMD-02-226-630	2
32 mm	DMD-02-226-632	2
34 mm	DMD-02-226-634	2
36 mm	DMD-02-226-636	2
38 mm	DMD-02-226-638	2
40 mm	DMD-02-226-640	2
42 mm	DMD-02-226-642	2
44 mm	DMD-02-226-644	2
46 mm	DMD-02-226-646	2
48 mm	DMD-02-226-648	2
50 mm	DMD-02-226-650	2
52 mm	DMD-02-226-652	2
54 mm	DMD-02-226-654	2
56 mm	DMD-02-226-656	2
58 mm	DMD-02-226-658	2
60 mm	DMD-02-226-660	2
65 mm	DMD-02-226-665	2
70 mm	DMD-02-226-670	2
75 mm	DMD-02-226-675	2
80 mm	DMD-02-226-680	2
85 mm	DMD-02-226-685	2
90 mm	DMD-02-226-690	2
95 mm	DMD-02-226-695	2
100 mm	DMD-02-226-700	2

Material: 316L Stainless Steel

4.5mm Headless Compression Screws, Long Thread

Long Thread



Length	Product Number	Qty/Caddy
30 mm	DMD-02-226-730	2
32 mm	DMD-02-226-732	2
34 mm	DMD-02-226-734	2
36 mm	DMD-02-226-736	2
38 mm	DMD-02-226-738	2
40 mm	DMD-02-226-740	2
42 mm	DMD-02-226-742	2
44 mm	DMD-02-226-744	2
46 mm	DMD-02-226-746	2
48 mm	DMD-02-226-748	2
50 mm	DMD-02-226-750	2
52 mm	DMD-02-226-752	2
54 mm	DMD-02-226-754	2
56 mm	DMD-02-226-756	2
58 mm	DMD-02-226-758	2
60 mm	DMD-02-226-760	2
65 mm	DMD-02-226-765	2
70 mm	DMD-02-226-770	2
75 mm	DMD-02-226-775	2
80 mm	DMD-02-226-780	2
85 mm	DMD-02-226-785	2
90 mm	DMD-02-226-790	2
95 mm	DMD-02-226-795	2
100 mm	DMD-02-226-800	2

Material: 316L Stainless Steel

6.5mm Headless Compression Screws, 16mm Thread

16mm Thread



Length	Product Number	Qty/Caddy
40 mm	DMD-02-227-040	2
45 mm	DMD-02-227-045	2
50 mm	DMD-02-227-050	2
55 mm	DMD-02-227-055	2
60 mm	DMD-02-227-060	2
65 mm	DMD-02-227-065	2
70 mm	DMD-02-227-070	2
75 mm	DMD-02-227-075	2
80 mm	DMD-02-227-080	2
85 mm	DMD-02-227-085	2
90 mm	DMD-02-227-090	2
95 mm	DMD-02-227-095	2
100 mm	DMD-02-227-100	2
105 mm	DMD-02-227-105	2
110 mm	DMD-02-227-110	2
115 mm	DMD-02-227-115	2
120 mm	DMD-02-227-120	2
125 mm	DMD-02-227-125	2
130 mm	DMD-02-227-130	2
135 mm	DMD-02-227-135	2
140 mm	DMD-02-227-140	2
145 mm	DMD-02-227-145	2
150 mm	DMD-02-227-150	2

Material: 316L Stainless Steel

6.5mm Headless Compression Screws, 32mm Thread

32mm Thread



Length	Product Number	Qty/Caddy
55 mm	DMD-02-227-255	2
60 mm	DMD-02-227-260	2
65 mm	DMD-02-227-265	2
70 mm	DMD-02-227-270	2
75 mm	DMD-02-227-275	2
80 mm	DMD-02-227-280	2
85 mm	DMD-02-227-285	2
90 mm	DMD-02-227-290	2
95 mm	DMD-02-227-295	2
100 mm	DMD-02-227-300	2
105 mm	DMD-02-227-305	2
110 mm	DMD-02-227-310	2
115 mm	DMD-02-227-315	2
120 mm	DMD-02-227-320	2
125 mm	DMD-02-227-325	2
130 mm	DMD-02-227-330	2
135 mm	DMD-02-227-335	2
140 mm	DMD-02-227-340	2
145 mm	DMD-02-227-345	2
150 mm	DMD-02-227-350	2

Material: 316L Stainless Steel

Cannulated Drill Bits



DMD-310-650



DMD-03-226-042



DMD-310-630



DMD-03-227-042

Product No.	Ø	System Size	Description	Length	Quantity
DMD-310-650	3.2	4.5	Cannulated Drill Bit, Quick Coupling	170	2
DMD-03-226-042	4.0	4.5	Cannulated Drill Bit, Quick Coupling	215	2
DMD-310-630	5.0	6.5	Cannulated Drill Bit, Quick Coupling	300	2
DMD-03-227-042	6.0	6.5	Cannulated Drill Bit, Quick Coupling	285	2

Countersinks for Cannulated Headless Compression Screws



DMD-310-850



DMD-310-780-H

Product No.	System Size	Description	Coupling	Quantity
DMD-310-850	4.5	Cannulated countersink for 4.5mm screws	AO	1
DMD-310-780-H	6.5	Cannulated countersink for 6.5mm screws	Hall	1

4.5/6.5MM HEADLESS COMPRESSION SCREW SET

Guidewires



DMD-292-727



DMD-292-682

Product No.	Ø	System Size	Description	Length	Quantity
DMD-292-727	1.6	4.5	Non-threaded, trocar	150	10
DMD-292-682	2.8	6.5	Non-threaded, trocar	230	10

Measuring Devices



DMD-C80170



DMD-C80180

Product No.	System Size	Description	Length	Quantity
DMD-C80170	4.5	Depth gauge	150	1
DMD-C80180	6.5	Depth gauge	230	1

Forceps



DMD-319-970

Product No.	System Size	Description	Quantity
DMD-319-970	4.5 / 6.5	Forceps	1

Protection Sleeves

DMD-312-770



DMD-312-050



Product No.	System Size	Description	Quantity
DMD-312-770	4.5	9.5mm/7.0mm protection sleeve, 20mm	1
DMD-312-050	6.5	12.0mm/8.5mm protection sleeve, 100mm	1

Drill Sleeve



DMD-312-145

Product No.	System Size	Description	Quantity
DMD-312-145	4.5	0.8mm/1.7mm double drill sleeve	1

4.5/6.5MM HEADLESS COMPRESSION SCREW SET

Ratchet Handles



DMD-C80110



DMD-C80115

Product No.	System Size	Description	Quantity
DMD-C80110	4.5	Medium ratchet handle with standard AO receiver	1
DMD-C80115	6.5	Large ratchet handle with Hall receiver	1

Driver Shafts



DMD-C80140



DMD-C80145



DMD-C70140-H



DMD-C70145-H

Product No.	System Size	Description	Quantity
DMD-C80140	4.5	T15 hexalobe tip, cannulated shaft (AO)	2
DMD-C80145	4.5	T15 hexalobe tip, solid shaft (removal)(AO)	1
DMD-C70140-H	6.5	4mm hex tip, cannulated shaft (Hall)	2
DMD-C70145-H	6.5	4mm hex tip, solid shaft (Hall)	1

Screwdrivers



DMD-C80200



DMD-C80205



DMD-C70200



DMD-C70205

Product No.	System Size	Description	Quantity
DMD-C80200	4.5	T15 hexalobe driver, cannulated shaft	1
DMD-C80205	4.5	T15 hexalobe drive, solid shaft (removal)	1
DMD-C70200	6.5	4mm hex drive, cannulated shaft	1
DMD-C70205	6.5	4mm hex drive, solid shaft (removal)	1

Diamond Orthopedic offers
faceted threadform technology for
orthopedic applications worldwide



DIAMOND
ORTHOPEDIC

1600 Camden Road
Charlotte, NC 28203
704-585-8270
Info@diamondortho.com